

FIG. 1

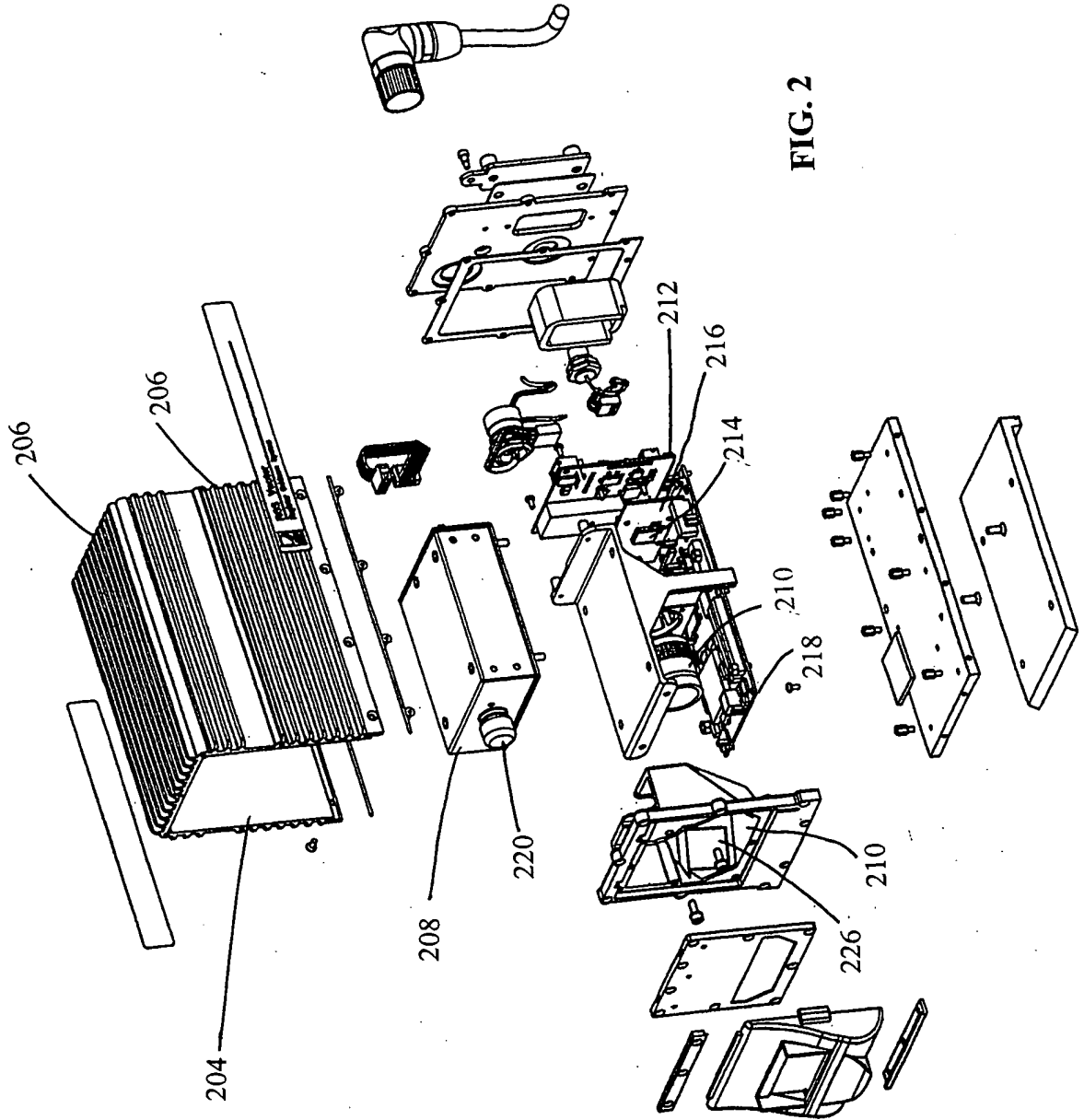


Title: Camera Assembly For a Printing Press

Inventor(s): Hansen, et al.

Application No. 10/072,742

Replacement Sheet 2 of 12





Title: Camera Assembly For a Printing Press
Inventor(s): Hansen, et al.
Application No. 10/072,742
Replacement Sheet 3 of 12

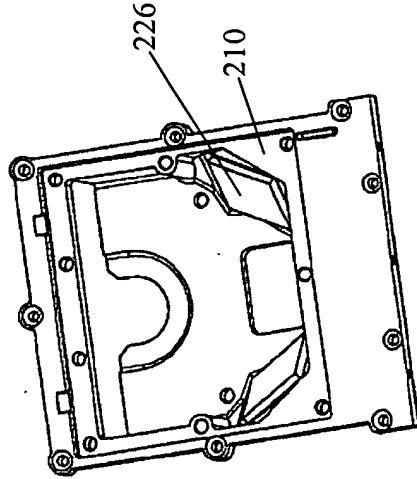


FIG. 4

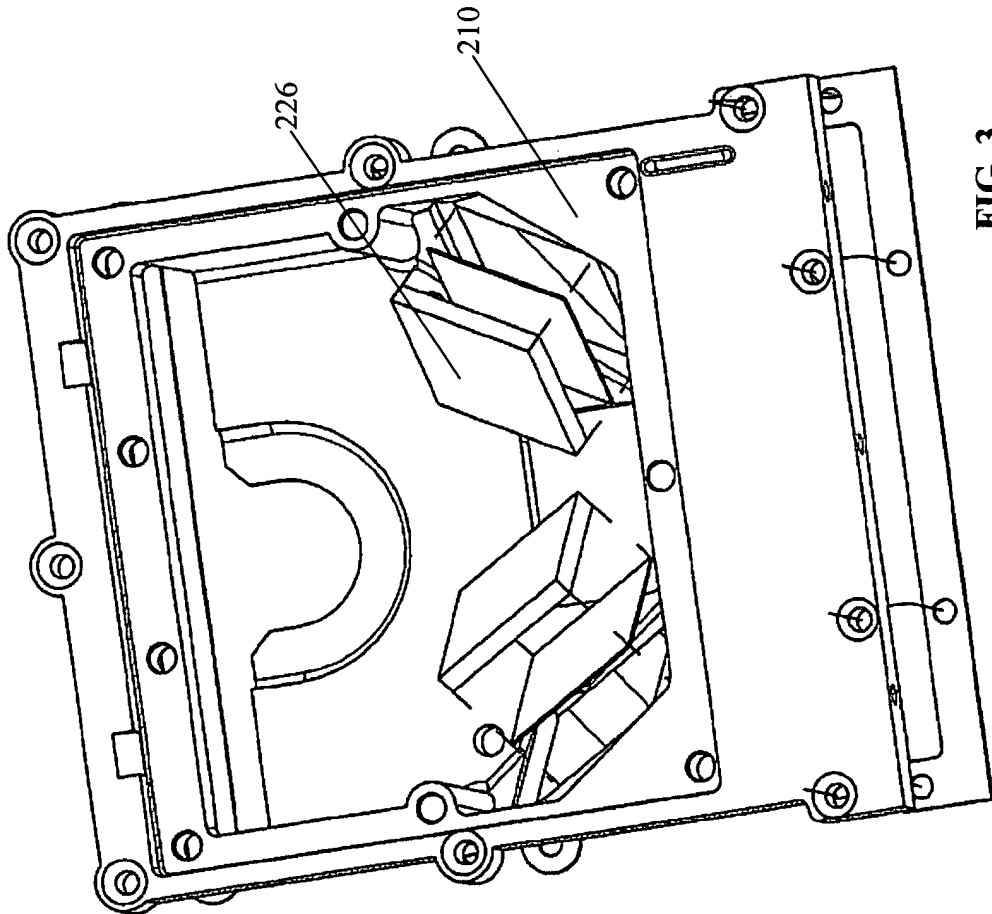


FIG. 3



Title: Camera Assembly For a Printing Press

Inventor(s): Hansen, et al.

Application No. 10/072,742

Replacement Sheet 4 of 12

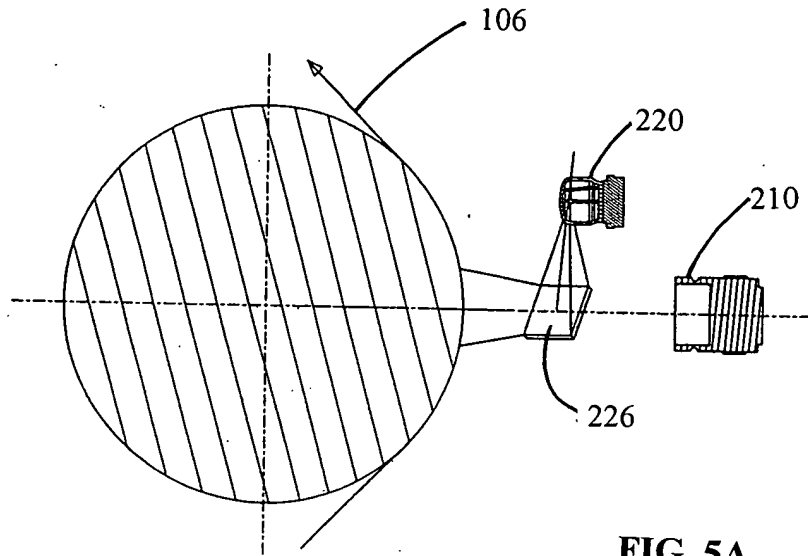
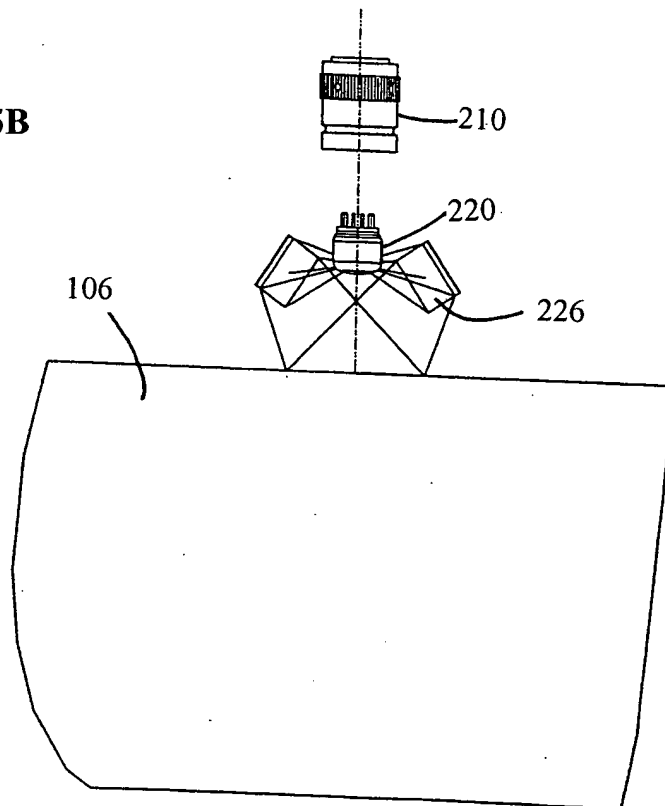


FIG. 5A

FIG. 5B



Title: Camera Assembly For a Printing Press

Inventor(s): Hansen, et al.

Application No. 10/072,742

Replacement Sheet 5 of 12

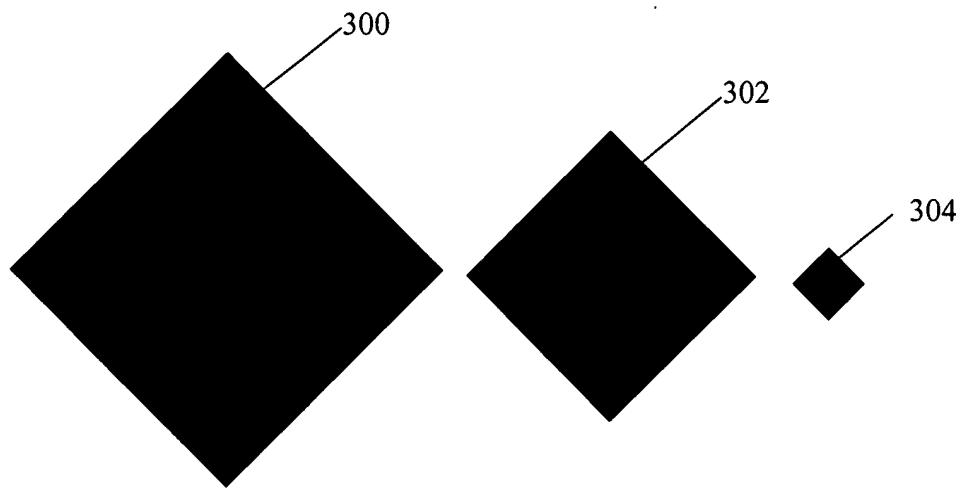


FIG. 6



Title: Camera Assembly For a Printing Press

Inventor(s): Hansen, et al.

Application No. 10/072,742

Replacement Sheet 6 of 12

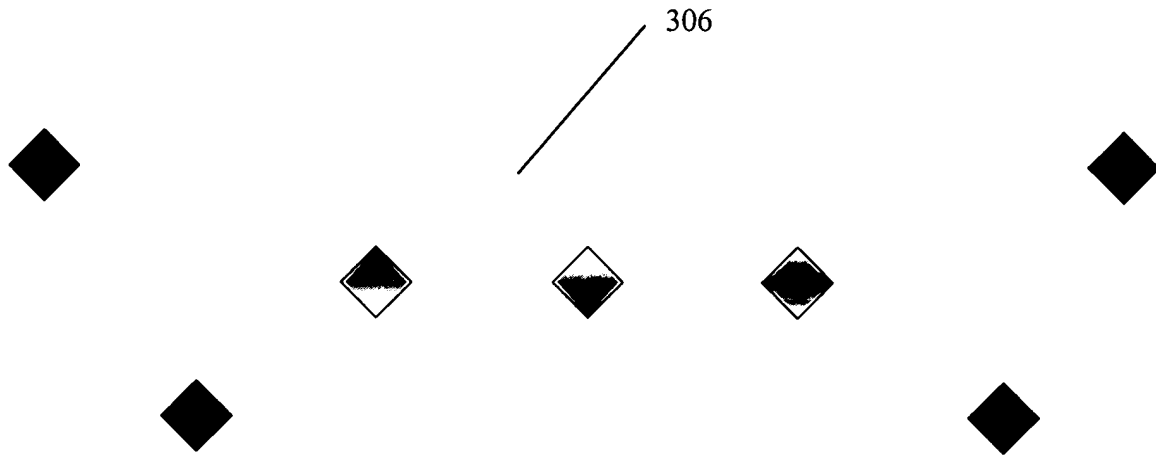


FIG. 7



Title: Camera Assembly For a Printing Press

Inventor(s): Hansen, et al.

Application No. 10/072,742

Replacement Sheet 7 of 12

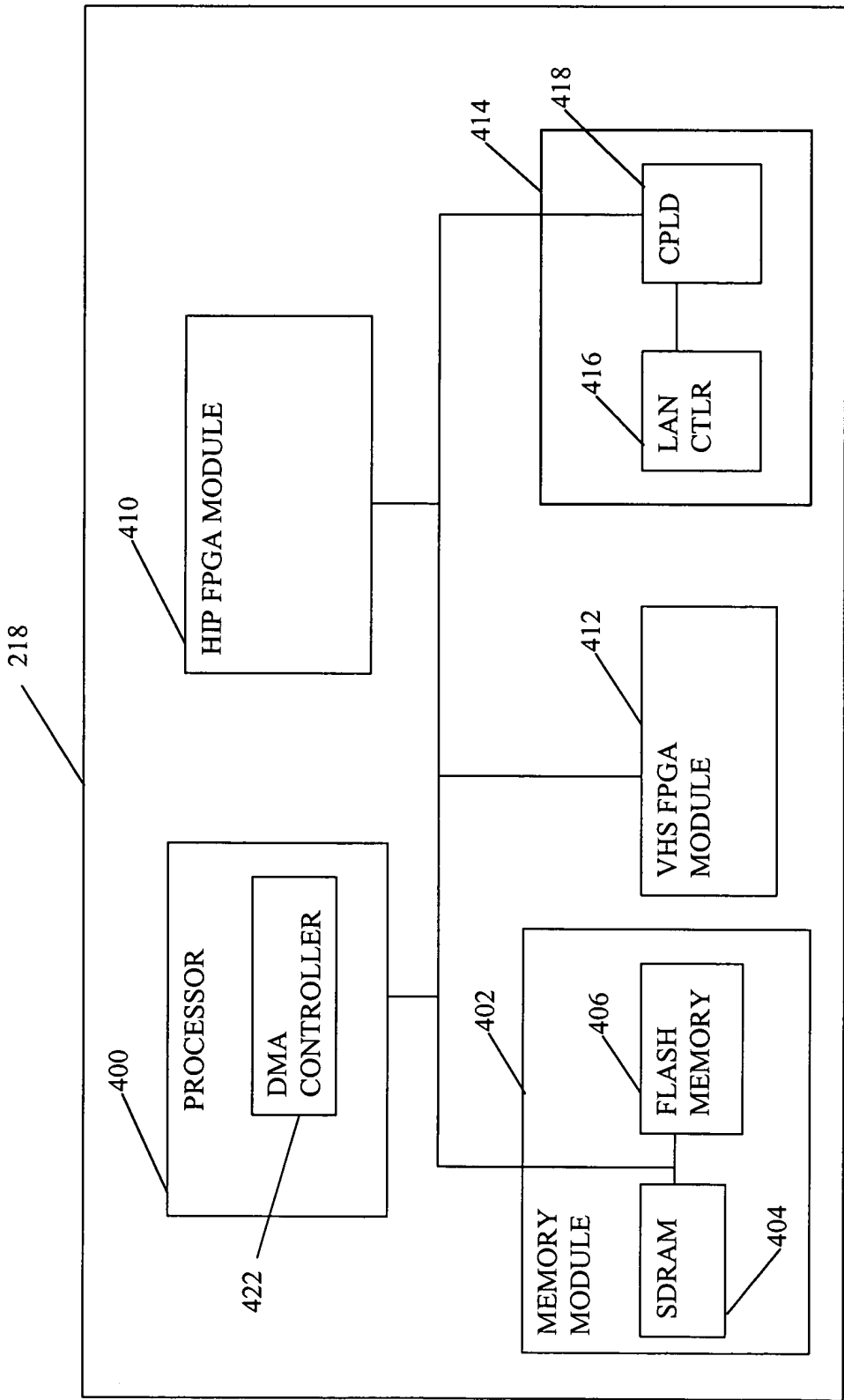


FIG. 8



Title: Camera Assembly For a Printing Press

Inventor(s): Hansen, et al.

Application No. 10/072,742

Replacement Sheet 8 of 12

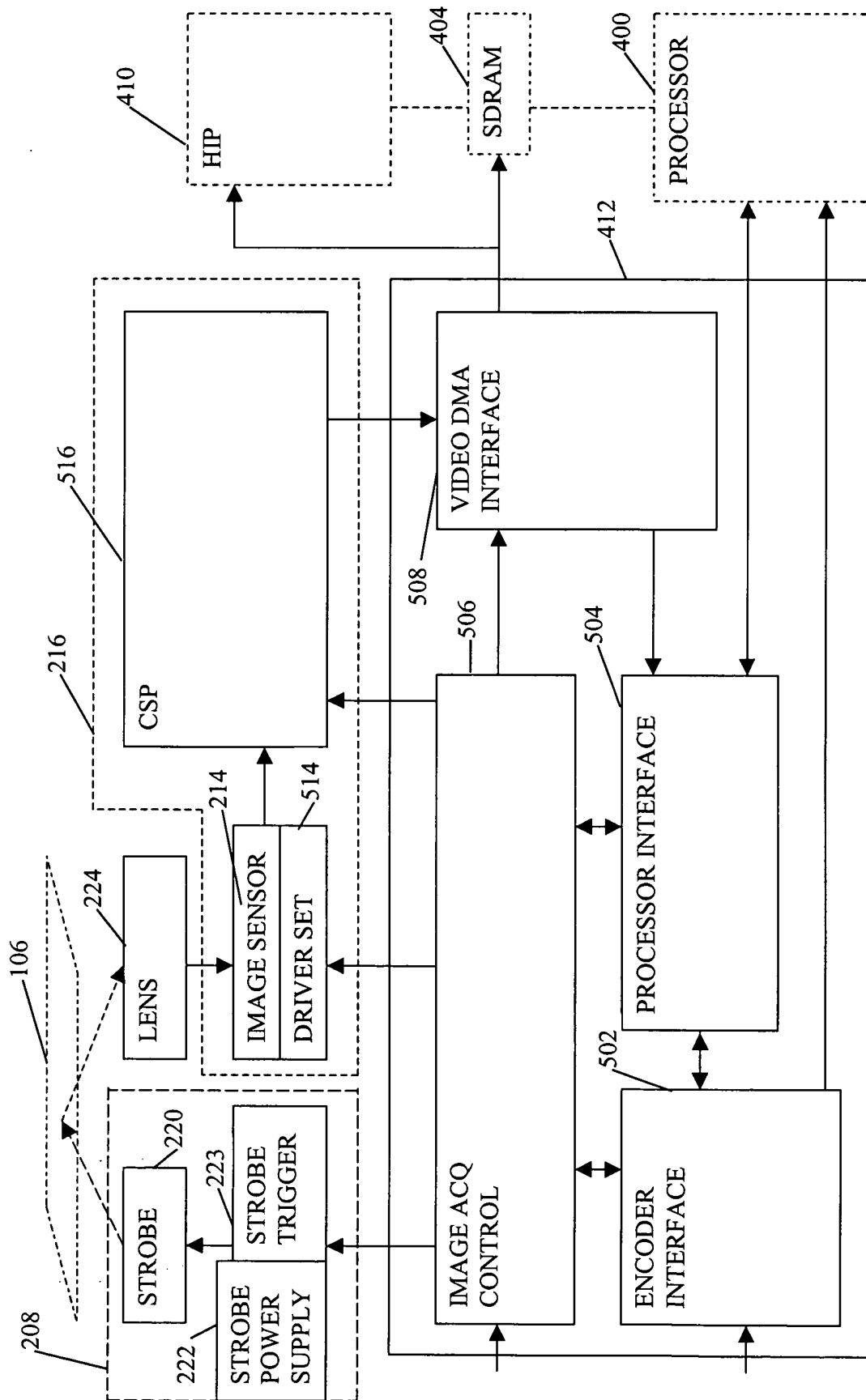


FIG. 9



Title: Camera Assembly For a Printing Press

Inventor(s): Hansen, et al.

Application No. 10/072,742

Replacement Sheet 9 of 12

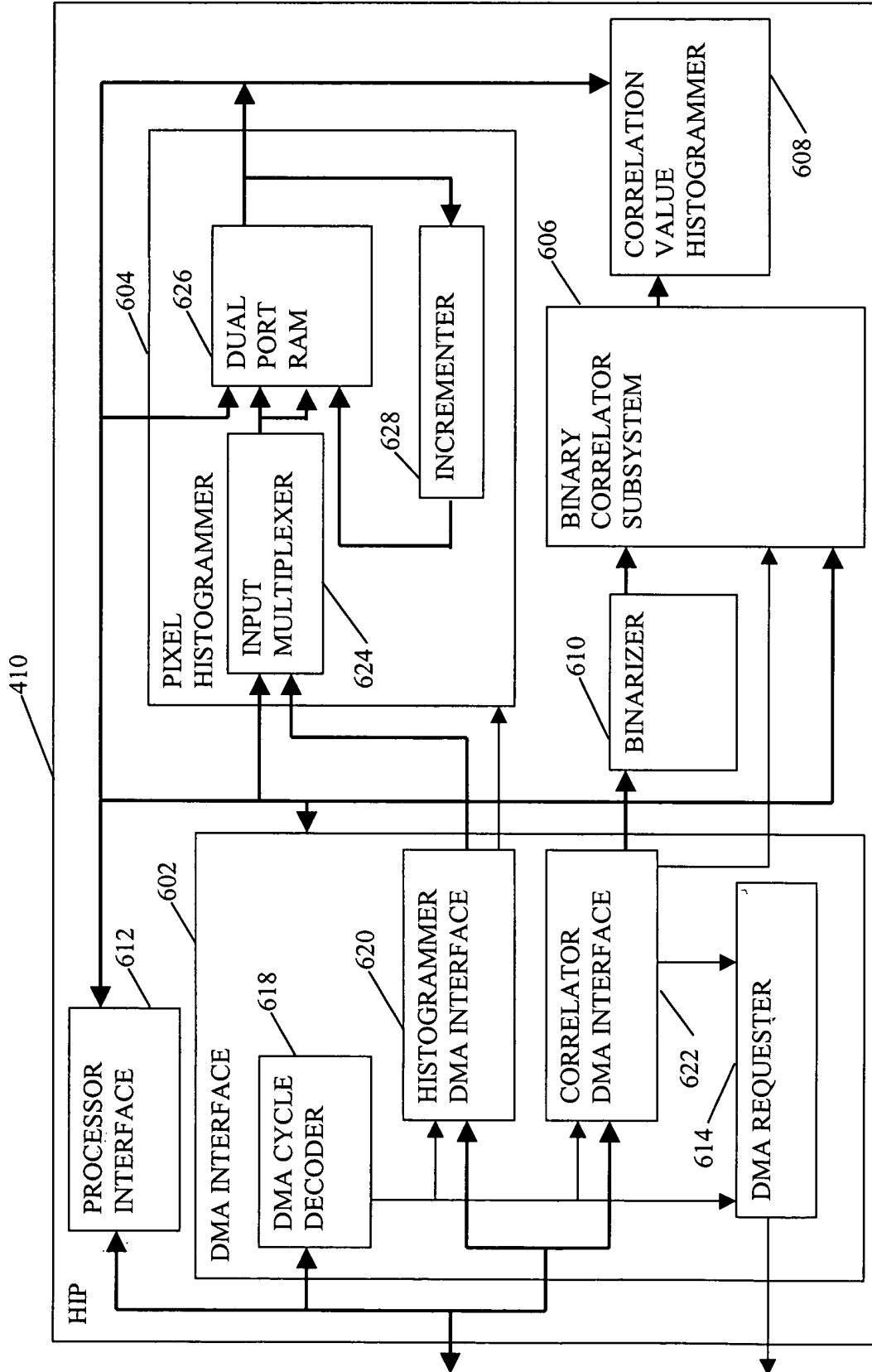


FIG. 10

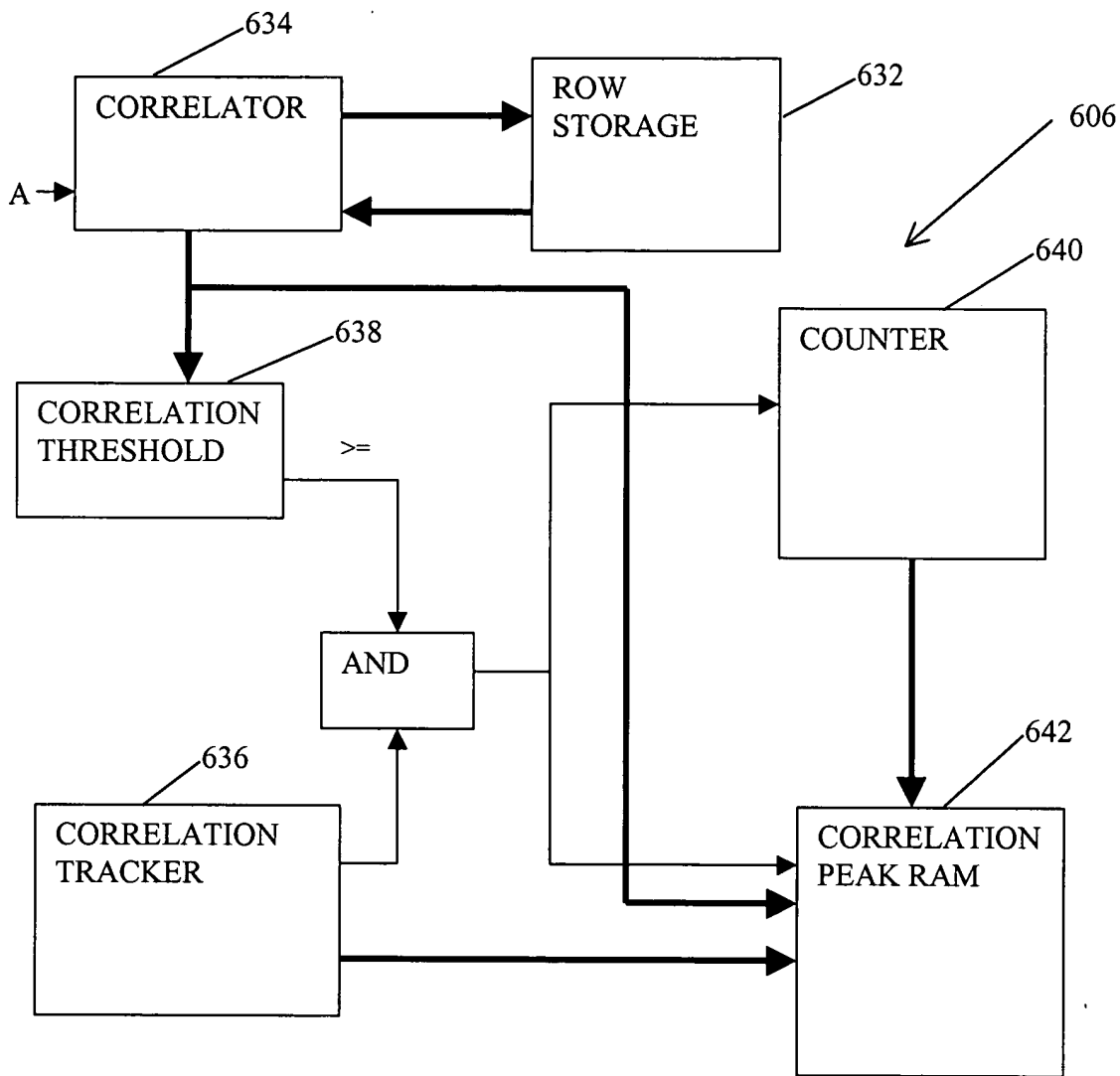


FIG. 11



Title: Camera Assembly For a Printing Press

Inventor(s): Hansen, et al.

Application No. 10/072,742

Replacement Sheet 11 of 12

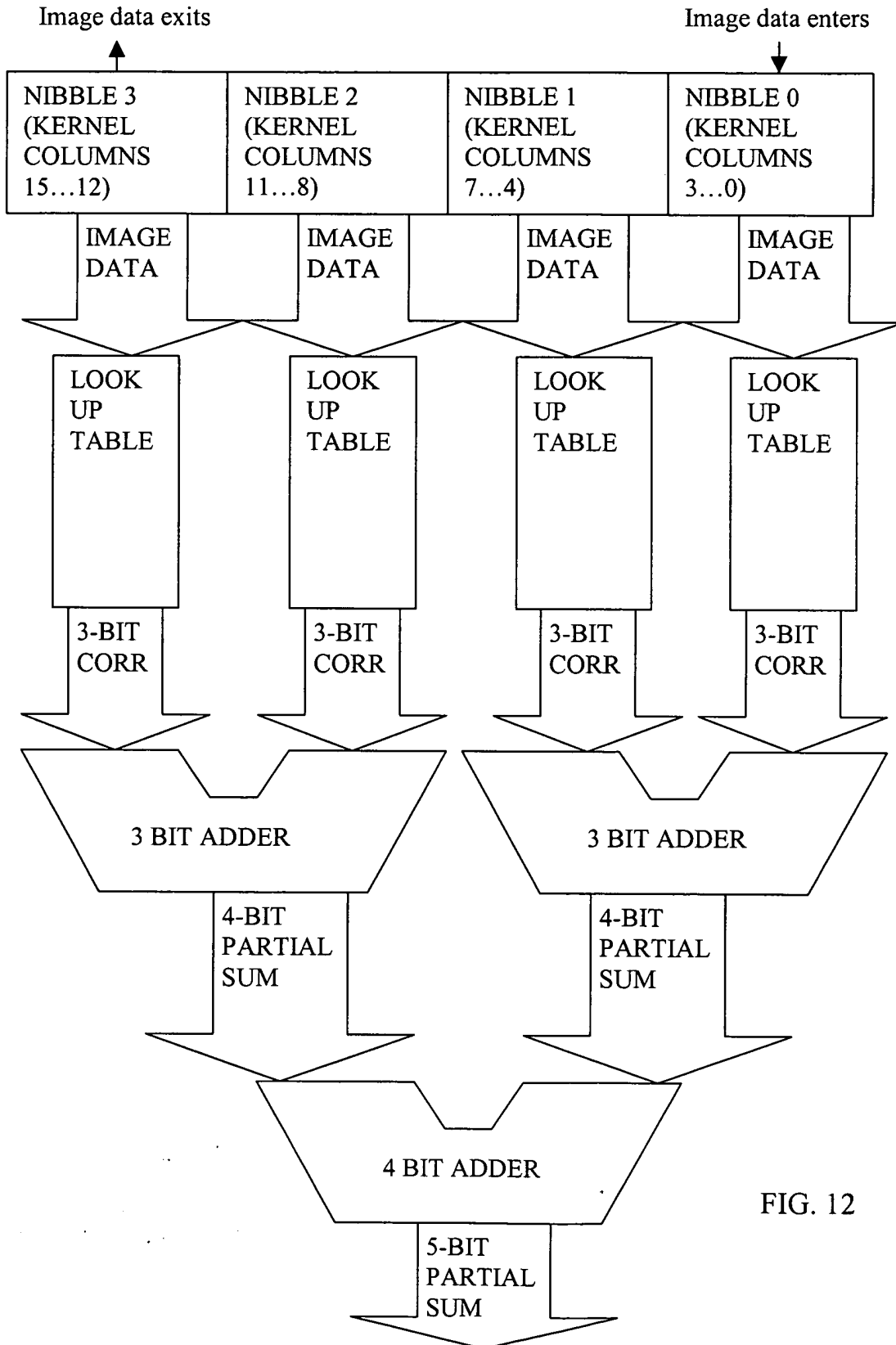


FIG. 12

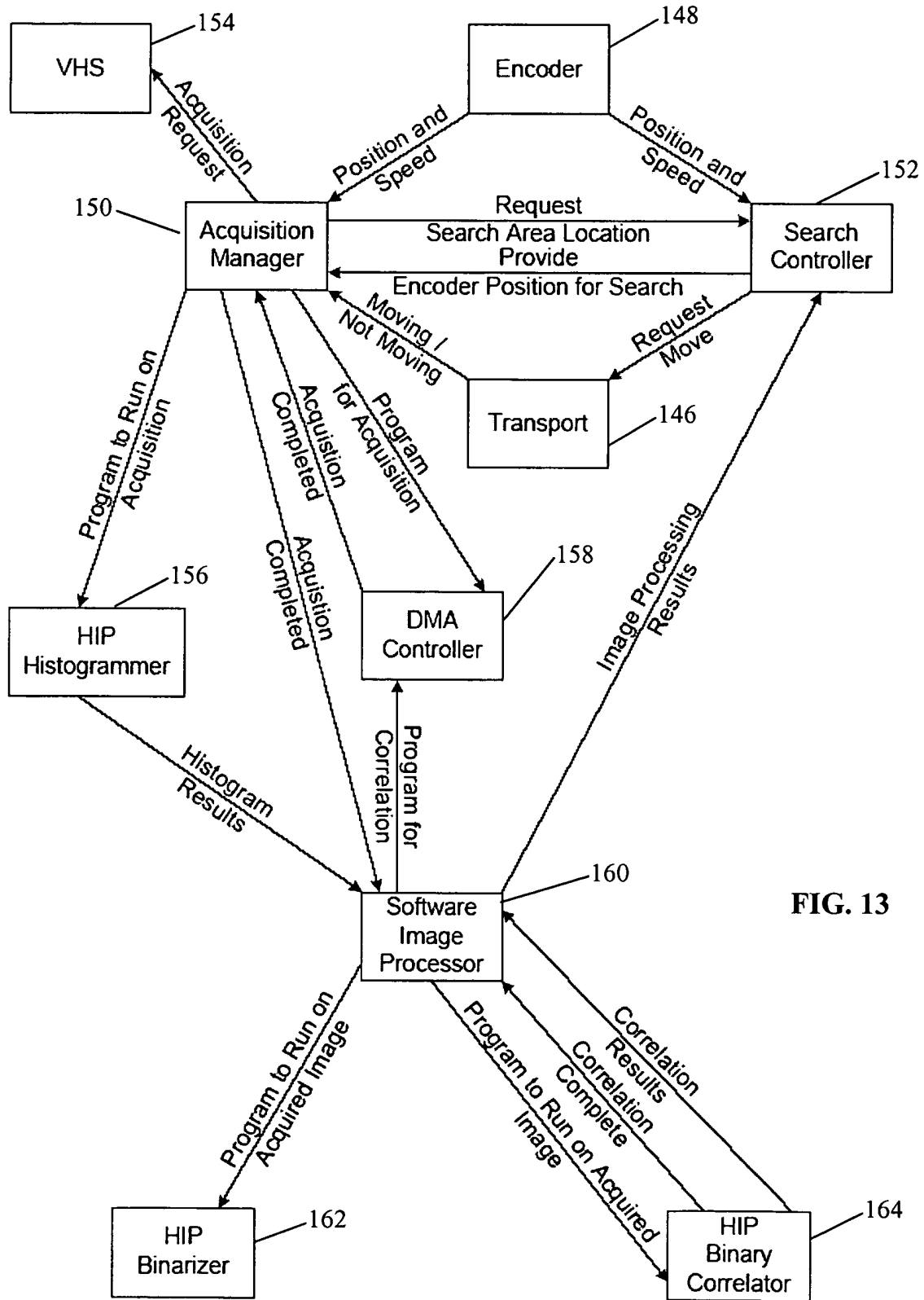


FIG. 13